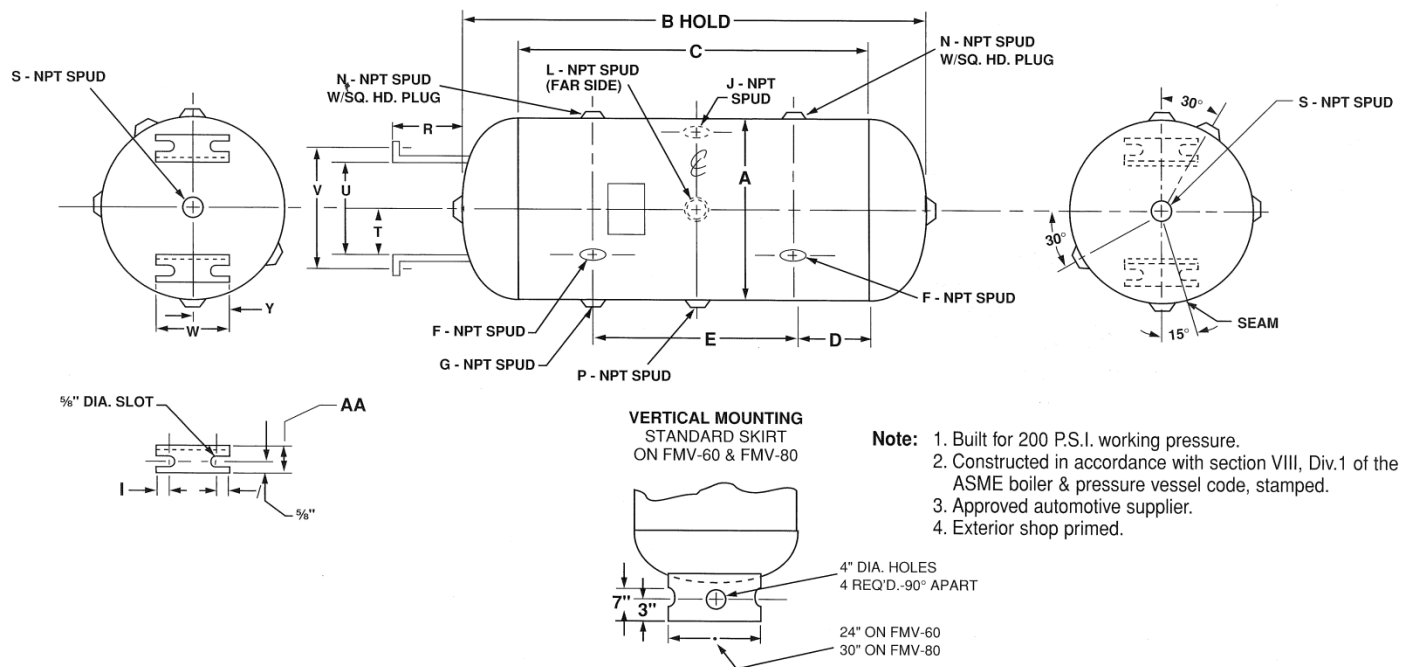


ASME TANKS & PRESSURE VESSELS

ASME VERTICAL AIR SURGE TANKS

STANDARD AIR ACCUMULATOR



- Note:**
1. Built for 200 P.S.I. working pressure.
 2. Constructed in accordance with section VIII, Div.1 of the ASME boiler & pressure vessel code, stamped.
 3. Approved automotive supplier.
 4. Exterior shop primed.

DIMENSIONS & WEIGHTS

Part Number	Actual Capacity		Dimensions in Inches																				Approx Weight (lbs)
	Gal.	Cu. Ft.	Dia.	OAL	C	D	E	F	G	J	L	N	P	R	S	T	U	V	W	Y	Z	AA	
			A	B																			
FMV-18	8	1.1	12	19	12	3	6	1	1	0.25	0.5	--	0.5	3	1.5	3	6	8.125	6	3	4	2	30
FMV-38	17	2.2	12	37	30	7.5	20	1	1	0.25	0.5	--	0.5	3	1.5	3	6	8.125	6	3	4	2	50
FMV-50	22	2.9	14	33	25	5	15	1.5	1.5	0.5	0.5	1.5	0.5	3	2	3.5	7	9.125	6	3	4	2	68
FMV-75	33	4.5	16	38	29	5.5	18	1.5	1.5	0.5	0.5	1.5	0.5	3	2	3.5	7	9.125	6	3	4	2	95
FMV-10	46	6.2	18	46	36	9	18	1.5	1.5	0.5	0.5	2	0.5	3	2	6	12	14	12	6	10	2	140
FMV-12	52	7.0	20	44	33	4.5	24	2	2	0.5	0.5	2	--	4	2	6	12	14	12	6	10	2	151
FMV-20	87	11.7	24	49	36	9	18	1.5	1.5	0.5	0.5	2	0.5	4	2	6	12	14	12	6	10	2	230
FMV-25	109	14.5	24	62	48	8.5	20	1.5	1.5	0.5	0.5	2	0.5	4	2	6	12	14	12	6	10	2	295
FMV-35	153	20.5	30	54	36	8	33	2	2	1	0.5	2	1	4	2	9	18	20	18	9	16	2	430
FMV-60	260	34.8	30	90	72	8	35	2	2	1	0.5	2	0.75	--	2	--	--	--	--	--	--	--	700
FMV-80	330	44.2	36	83	60	15.5	30	--	2	--	0.75	2	0.75	--	2	--	--	--	--	--	--	--	1000